



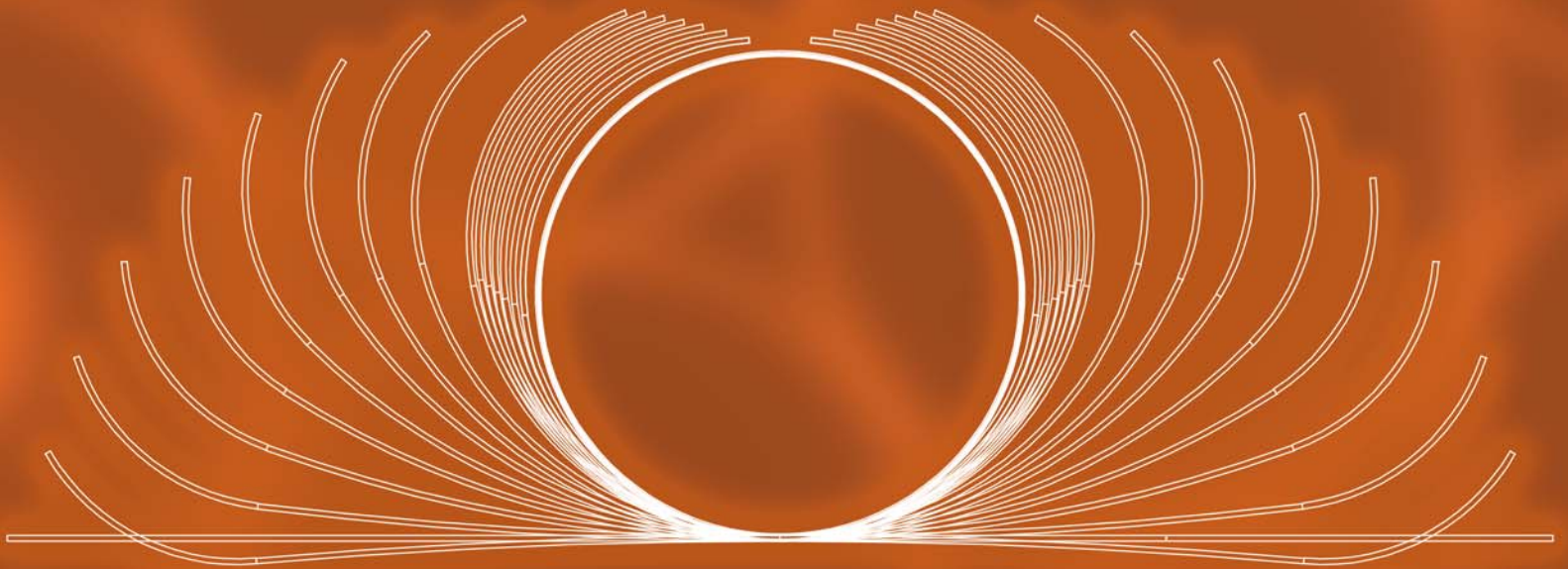
MEKOTUBING

"You imagine, we can shape it."

STANDARD TUBES AND PROFILES



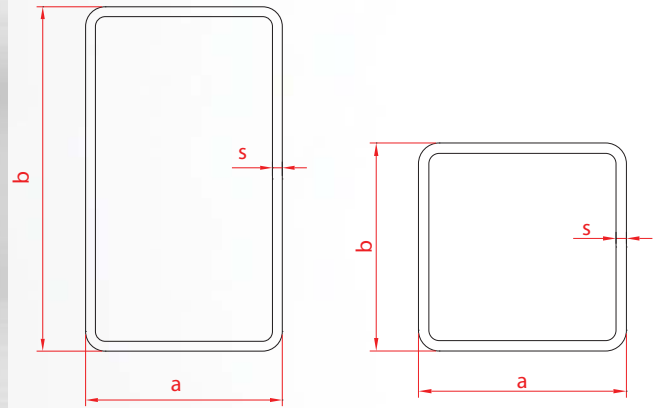
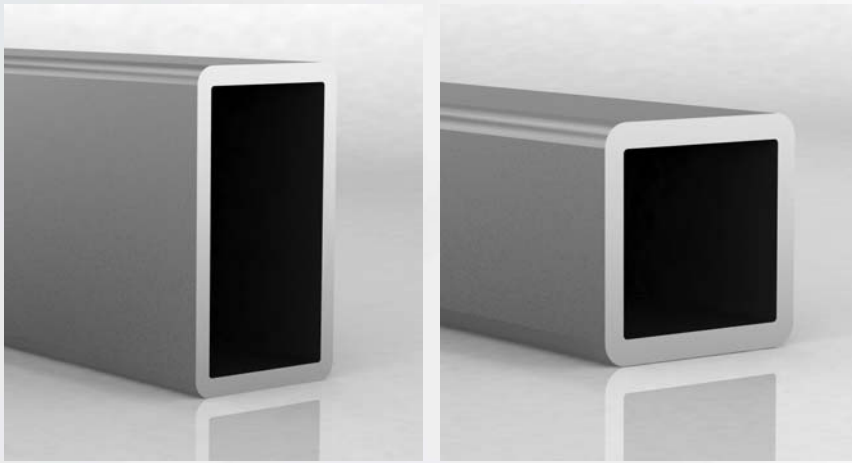
KMCGROUP



STANDARD TUBES AND PROFILES

As KMC Group, we serve to automotive main industry, furniture, domestic appliance, steel goods, decoration, heating & cooling, air conditioning, civil works & steel construction, scaffolding profiles, heated towel rack, solar energy systems, and agricultural irrigation & greenhouse industries by specially produced profiles with MEKO Brand. We continue to our stabilized commercial life for over half century, with annually 150 thousand trade capacity of Carbon Steel, Galvanized, Hot Rolled and pre-painted on demand and following the latest technology in order to serve you better. We maintain our quality perspective by performing physical & chemical tests in our own in house laboratories and R&D center, from raw material to finished products, using EC (Eddy Current), leak proof test, zinc spray coating on welding point and internal deburring processes. Your special cut to length requirements can be done in our computer controlled CNC and multi saw lines. We provide our best of services to you with ISO 9001 and IATF 16949 quality certificates being environmentally friendly and mindful to labors and occupational safety measurements.

RECTANGULAR & SQUARE PROFILES

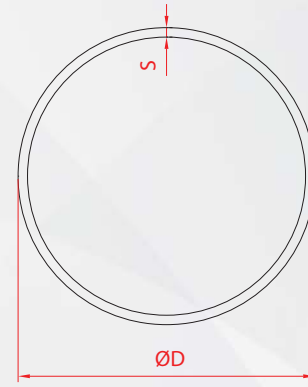


DIMENSIONS			[S] THICKNESS (mm)														
Out Diameter			0,50	0,60	0,70	0,80	0,90	1,00	1,20	1,50	2,00	2,50	3,00	4,00	5,00	6,00	8,00
a x b (mm)			Weight Kg/m														
10x10			0,161	0,193	0,225	0,257	0,290	0,322	0,386								
12x12			0,188	0,226	0,264	0,301	0,339	0,377	0,452	0,565							
12,7x12,7			0,196	0,236	0,275	0,314	0,353	0,393	0,471	0,589							
10x20	15x15		0,236	0,283	0,330	0,377	0,424	0,471	0,565	0,695							
10x30	15x25	20x20	0,310	0,372	0,434	0,496	0,558	0,620	0,744	0,918	1,225						
20x30	25x25	11x40	0,389	0,466	0,544	0,622	0,699	0,777	0,933	1,154	1,539						
20x40	30x30		0,467	0,560	0,654	0,747	0,841	0,934	1,121	1,389	1,853						
25x40					0,709	0,810	0,911	1,013	1,215	1,507	2,010						
30x40	35x35				0,764	0,873	0,982	1,091	1,300	1,625	2,167	2,689	3,226				
30x50	40x40				0,868	0,992	1,116	1,225	1,470	1,825	2,434	3,022	3,627	4,804			
30x60	40x50	45x45			0,967	1,105	1,243	1,382	1,658	2,061	2,748	3,415	4,098	5,432			
40x60	50x50	30x70			1,077	1,231	1,385	1,539	1,846	2,296	3,062	3,807	4,569	6,060			
40x80	50x70	60x60			1,297	1,482	1,667	1,853	2,223	2,767	3,690	4,592	5,511	7,316			
60x80	70x70				1,517	1,733	1,950	2,167	2,600	3,238	4,318	5,377	6,453	8,572			
50x100										3,462	4,616	5,770	6,900	9,200			
60x100	80x80									3,709	4,946	6,182	7,395	9,828			
60x120											5,526	6,888	8,243	10,990			
80x120	100x100									4,628	6,154	7,693	9,208	12,246	15,268	18,275	24,241
80x140	110x110										6,814	8,517	10,197	13,565	16,917	20,253	26,941
120x120	80x160										7,458	9,322	11,163	14,852	18,526	22,184	29,453
100x150											7,756	9,695	11,610	15,449	19,272	23,079	30,646
150x150	100x200										9,326	11,657	13,965	18,589	23,197	27,789	36,926

Please contact us for your orders except for the mentioned measures above.



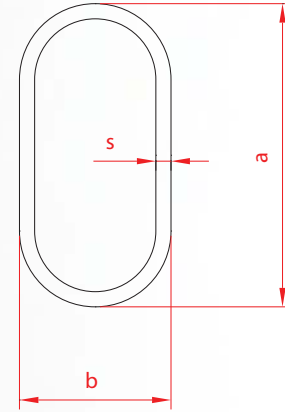
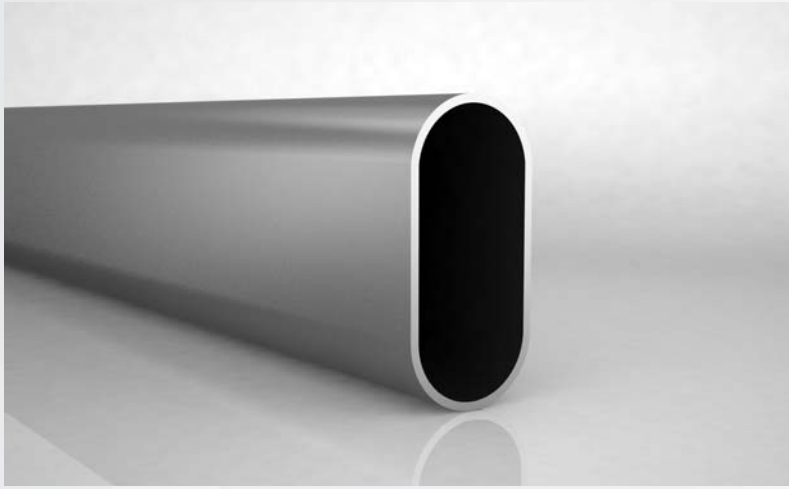
TUBE PROFILES



DIMENSIONS	(S) THICKNESS (mm)															
Out Diameter	0,50	0,60	0,70	0,80	0,90	1,00	1,20	1,50	2,00	2,50	3,00	3,50	4,00	5,00	6,00	8,00
d (mm)	Weight Kg/m															
10	0,126	0,151	0,176	0,201	0,226	0,251										
12	0,149	0,179	0,209	0,239	0,268	0,298										
13	0,161	0,193	0,225	0,257	0,290	0,322	0,377									
14	0,173	0,207	0,242	0,276	0,311	0,345	0,405	0,506								
16	0,196	0,236	0,275	0,314	0,353	0,393	0,462	0,565	0,754							
17	0,208	0,250	0,291	0,333	0,374	0,416	0,490	0,601	0,785							
18	0,224	0,268	0,313	0,358	0,403	0,447	0,528	0,648	0,848							
20	0,247	0,297	0,346	0,396	0,445	0,495	0,584	0,730	0,958							
21	0,259	0,311	0,363	0,414	0,466	0,518	0,612	0,742	0,989							
22	0,271	0,325	0,379	0,433	0,487	0,542	0,650	0,801	1,068							
23,5	0,290	0,349	0,407	0,465	0,523	0,581	0,697	0,860	1,146							
25	0,310	0,372	0,434	0,496	0,558	0,612	0,735	0,918	1,225							
27	0,330	0,396	0,462	0,528	0,593	0,659	0,791	0,977	1,303							
28	0,345	0,414	0,484	0,553	0,622	0,691	0,829	1,024	1,366							
28,6	0,353	0,424	0,495	0,565	0,636	0,707	0,838	1,036	1,382							
30	0,369	0,443	0,517	0,590	0,664	0,738	0,885	1,095	1,460							
32	0,389	0,466	0,544	0,622	0,699	0,769	0,923	1,154	1,539							
34	0,396	0,476	0,555	0,634	0,714	0,793	0,942	1,178	1,570							
35	0,420	0,504	0,588	0,672	0,756	0,840	1,008	1,248	1,664							
38	0,467	0,560	0,654	0,747	0,841	0,934	1,112	1,389	1,853							
40		0,593	0,692	0,791	0,890	0,981	1,178	1,460	1,915							
42				0,816	0,918	1,021	1,215	1,507	2,010							
45				0,873	0,982	1,091	1,309	1,625	2,167							
48				0,942	1,060	1,178	1,413	1,743	2,324	2,905	3,462					
51					1,102	1,217	1,451	1,813	2,418	3,022	3,603					
54						1,303	1,554	1,943	2,575	3,219	3,839					
57						1,397	1,677	2,096	2,779	3,454	4,121					
60						1,460	1,752	2,190	2,920	3,631	4,357					
63								2,296	3,062	3,807	4,545					
70								2,543	3,391	4,219	5,040	5,880	6,688			
76									3,690	4,612	5,511	6,402	7,285			
82									4,004	5,004	5,982	6,979	7,944			
89									4,318	5,397	6,453	7,528	8,572			
94									4,632	5,789	6,924	8,078	9,200			
102									4,946	6,182	7,395	8,627	9,828			
114									5,574	6,967	8,337	9,726	11,084			
127									6,202	7,752	9,279	10,825	12,340	15,386	18,416	24,429
139									6,814	8,517	10,197	11,897	13,565	16,917	20,253	26,878
152									7,442	9,302	11,139	12,996	14,821	18,487	22,137	29,390
159									7,772	9,714	11,634	13,573	15,480	19,311	23,126	30,709
168									8,211	10,264	12,293	14,342	16,359	20,410	24,445	32,468
191									9,342	11,677	13,989	16,320	18,620	23,236	27,836	37,052

Please contact us for your orders except for the mentioned measures above.

OVAL & ELIPSE PROFILES

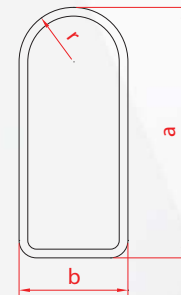


DIMENSIONS	[S] THICKNESS (mm)						
	0,80	0,90	1,00	1,20	1,50	2,00	3,00
Out Diameter	0,80	0,90	1,00	1,20	1,50	2,00	3,00
a x b (mm)	Weight Kg/m						
14x8	0,239	0,268	0,298	0,358	0,447		
16x8	0,257	0,290	0,322	0,386	0,483		
20x10	0,314	0,353	0,393	0,471	0,577	0,769	
25x15	0,414	0,466	0,518	0,622	0,777	1,005	
30x10	0,433	0,487	0,542	0,650	0,812	1,036	
30x15	0,490	0,551	0,612	0,735	0,918	1,225	
30x70		1,258	1,397	1,677	2,096	2,795	4,192
35x15	0,553	0,622	0,691	0,829	1,036	1,382	
35x20	0,590	0,664	0,738	0,885	1,107	1,476	
40x20	0,653	0,735	0,816	0,980	1,213	1,601	

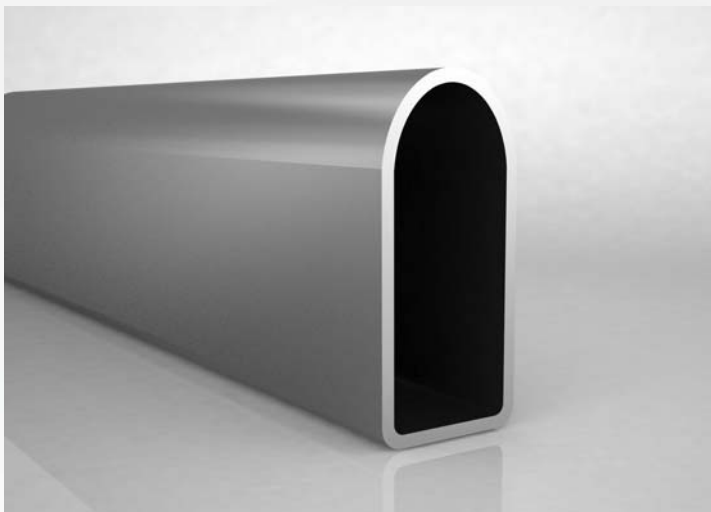
Please contact us for your orders except for the mentioned measures above.

DIMENSIONS	[S] THICKNESS (mm)						
	0,80	0,90	1,00	1,20	1,50	2,00	3,00
Out Diameter	0,80	0,90	1,00	1,20	1,50	2,00	3,00
a x b (mm)	Weight Kg/m						
45x15	0,685	0,770	0,856	1,027	1,272	1,680	
48x20	0,747	0,841	0,934	1,112	1,389	1,853	
50x20	0,772	0,869	0,966	1,159	1,448	1,915	
50x25		0,904	1,005	1,206	1,507	2,010	2,991
50x30		0,904	1,005	1,206	1,507	2,010	2,991
55x25		0,975	1,083	1,300	1,625	2,167	3,226
60x20		0,975	1,083	1,300	1,625	2,167	
60x30			1,209	1,451	1,813	2,418	3,603
63x50			1,413	1,696	2,120	2,826	4,215
68x50			1,515	1,818	2,273	3,030	4,522
80x25				1,752	2,190	2,920	4,380

Please contact us for your orders except for the mentioned measures above.



D PROFILES



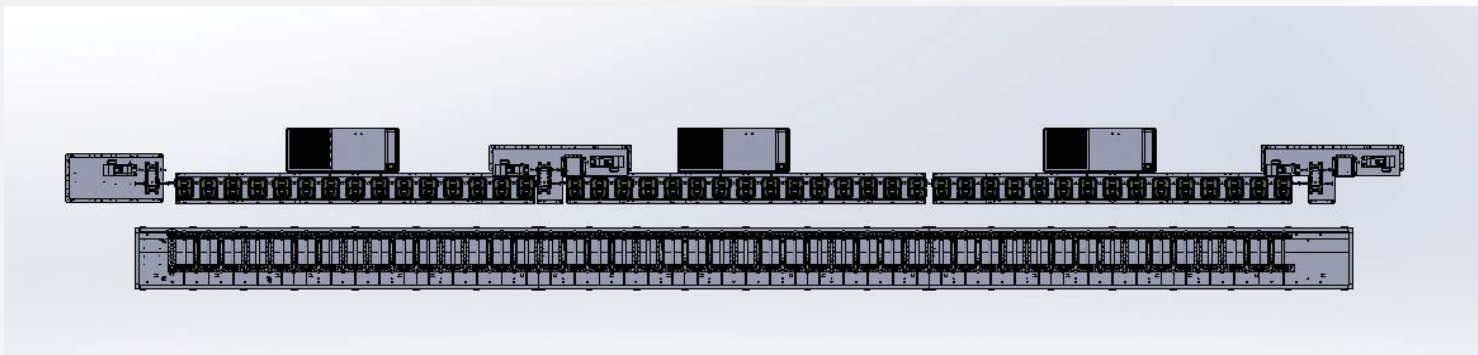
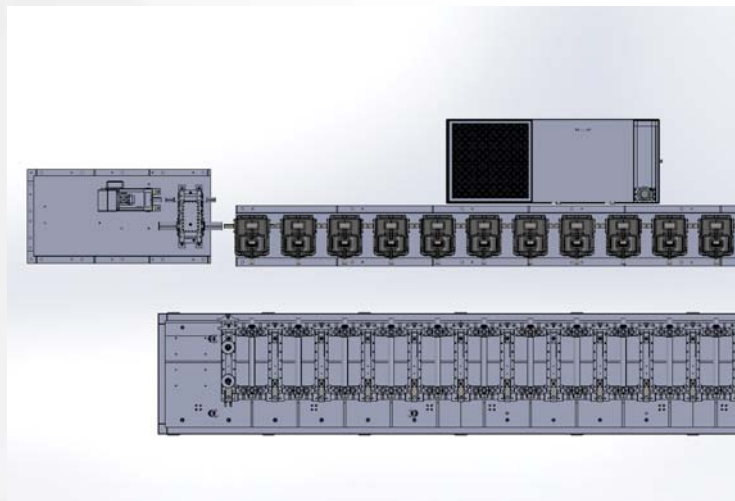
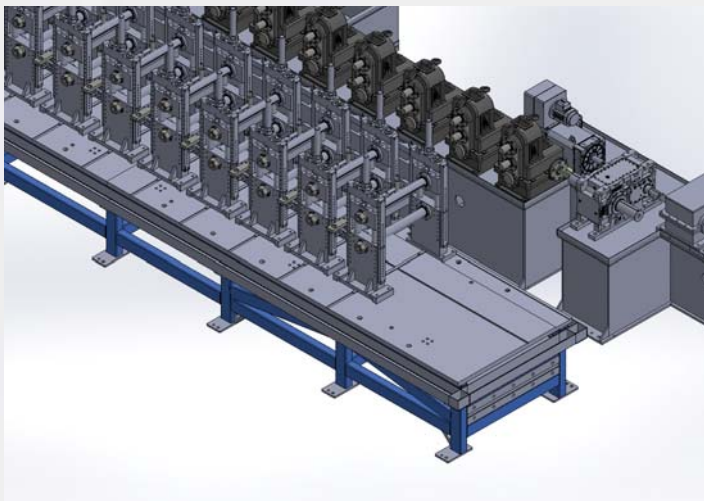
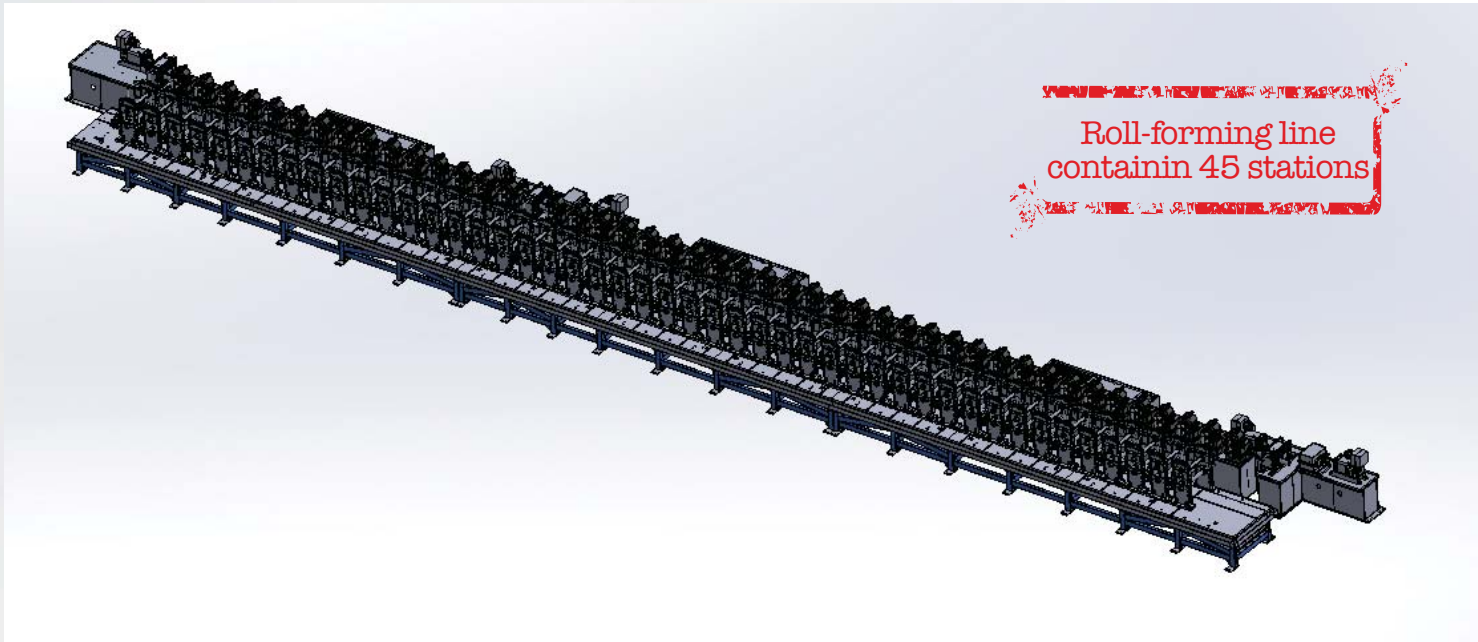
DIMENSIONS	[S] THICKNESS (mm)								
	0,60	0,70	0,80	0,90	1,00	1,20	1,50	2,00	
Out Diameter	0,60	0,70	0,80	0,90	1,00	1,20	1,50	2,00	
a x b (mm)	Weight Kg/m								
30x20			0,576	0,646	0,715	0,852	1,050	1,250	
30x15			0,528	0,593	0,659	0,791	0,989	1,287	
30x40			0,754	0,848	0,942	1,130	1,413	1,884	
35x20			0,615	0,69	0,764	0,912	1,120	1,340	
40x20			0,694	0,779	0,863	1,030	1,270	1,520	
38x26			0,747	0,841	0,934	1,112	1,389	1,853	
40x30					0,962	1,148	1,425	1,696	
50x25					1,083	1,300	1,625	2,167	
60x50					1,510	1,812	2,265	3,020	

Please contact us for your orders except for the mentioned measures above.

PACKING



Roll-forming line
containin 45 stations





KMCGROUP



MEKOTUBING

MEKO TUBING

7 Eylül Mah. Ümit Tunçağ Cad. No:5 Torbalı - İZMİR / TÜRKİYE

T: +90 232 274 80 00 - F: +90 232 335 51 38

E: meko@mekometal.com.tr - export@kmc.com.tr

www.mekometal.com.tr

www.kmcgroup.com.tr

www.mekomag.com

